

Optimum 300s PLATFORM LIFT

500 TO 1000MM TRAVEL
THROUGH ENTRY



About the Optimum 300s

The Optimum 300s offers a Part M compliant solution to small changes in levels and the unit is suitable for internal or external use. This open style platform lift is value engineered to be designed with aesthetics and safety in mind giving added comfort to users.

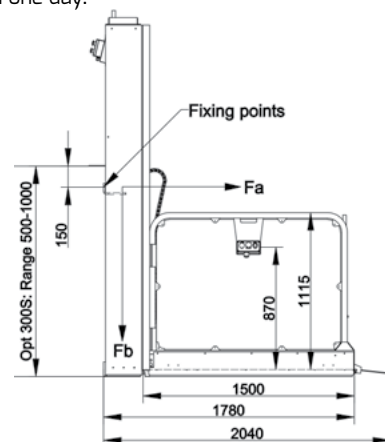
Centre opening gates are installed on the landing at the higher floor and easy to use controls make this the ideal unit for changes in level that are just a few steps high. This unit is available in an open-through configuration and offers 500mm to 1000mm travel.

Standard Features

- **Manual** double doors
- **Powder coated** in RAL 7004 light grey
- **1 phase** (frequency inverter) 240v, 16 amp
- **Toughened** polycarbonate infill panels
- **Soft start/stop**
- **Keyswitch**
- **Fixed ramp**
- **Safety tray** underside guarding
- **Lifting heights** 500mm to 1000mm
- **Lifts** up to 400kg
- **Footprint size** – 1300mm x 1780mm (excluding ramp)
- **Platform Size** – 1040mm x 1435mm
- **Installation width required** – 1500mm
- **External** or internal installation
- **Open through** configuration
- **2 year warranty** on major drive components

No-fuss Installation

Installation of the Optimum 300s will normally be complete within one day.



Optimum 300e PLATFORM LIFT

500MM TO 3000MM TRAVEL
ENTRY OPTIONS



About the Optimum 300e

The Optimum 300e offers a Part M compliant solution to small changes in levels and the unit is suitable for internal or external use. A safety gate is installed on the landing at the higher floor and easy to use controls make this the ideal unit for changes in level that are just a few steps high. This unit offers 500mm to 3000mm travel and will cater for an adjacent or through entry and exit.

Features as per standard model but with the following enhanced features:

- **Travel** - 500mm – 3000mm
- **Ramp** - Automatic power fold style
- **Capacity** - 400kg
- **Option** for single hinged gate
- **Colour** - choice of RAL colours available
- **Keyswitch** at each landing
- **Tactile** buttons
- **Through** or adjacent entry

No-fuss Installation

Installation of the Optimum 300e will normally be completed within one day.

