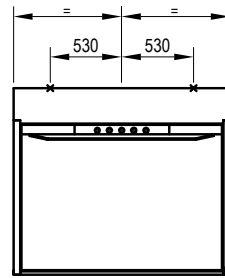
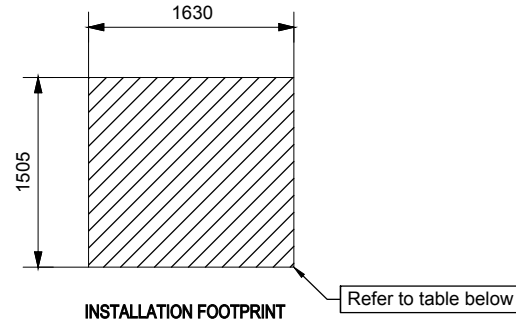
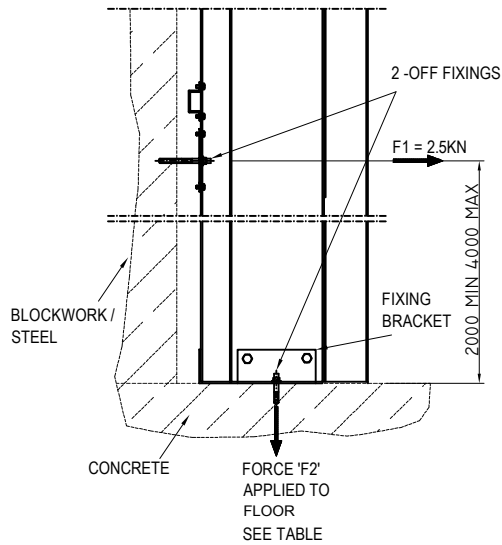
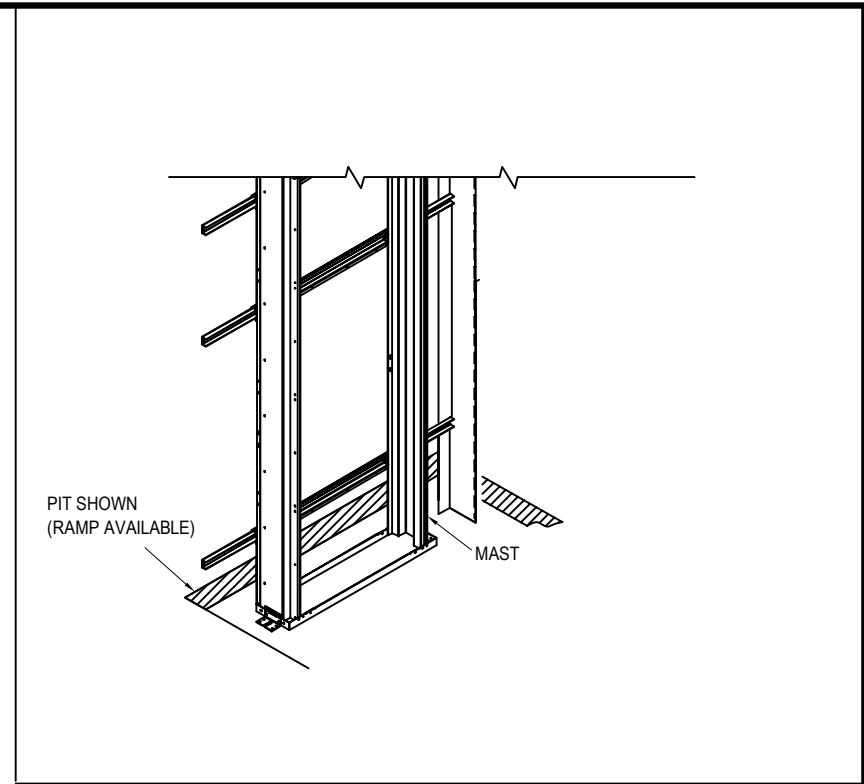


**TYPICAL DRAWING
FOR INFORMATION ONLY**

BUILDING REQUIREMENTS AND LOADINGS INFORMATION
FIXING OF SUPPORTING MAST TO WALL
 (ELSE L-BRACKET FIXING IS AVAILABLE AS AN ALTERNATIVE)

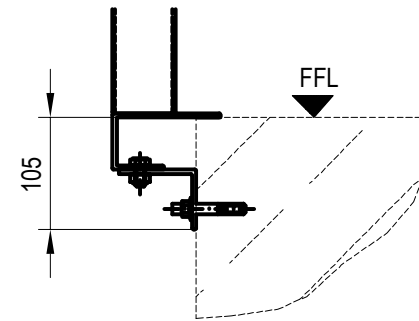


MAST FIXING POSITIONS

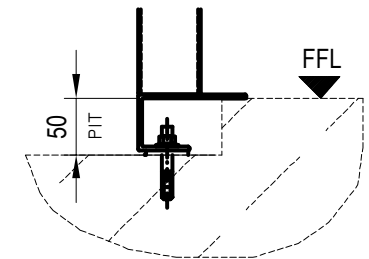


MAXIMUM FORCES BY TRAVEL

TRAVEL (m)	FLOOR LOADING F2 (kN)
1	7.8
2	8.5
3	9.2
4	9.9
5	10.7
6	11.5
7	12.0
8	12.8
9	13.4
10	14.2
11	14.9
12	15.6



FIXING OF DOOR FRAME AT UPPER LEVELS



FIXING OF DOOR FRAME AT GROUND FLOOR LEVEL

Generic Drawing of Optimum 100 (S) Platform Lift

il ing wor loa ing etail			
R	I	I	tim m
		S	
ilit Lift Limite e era ine Centre rgrea e oa effiel ort or ire L			